



SERVICE BULLETIN

Classification: EL01-007	Reference: NTB01-021	Date: March 23, 2001
-----------------------------	-------------------------	-------------------------

2000-2001 MAXIMA; SUNROOF GLASS OPERATES BY ITSELF

APPLIED VEHICLE(S): 2000-2001 Maxima (A33)
APPLIED VIN(S): Vehicles built before: JN1CA31A41T111687
JN1CA31A21T315646
JN1CA31D01T625644
JN1CA31D11T828977

APPLIED DATE: February 28, 2001

SERVICE INFORMATION

If the sunroof of an Applied Vehicle operates without the switch being pushed, it may be because of water contamination of the sunroof motor assembly. This could occur if the sunroof frame assembly is not draining correctly. A replacement sunroof frame assembly is available which allows for better draining if this incident should occur.

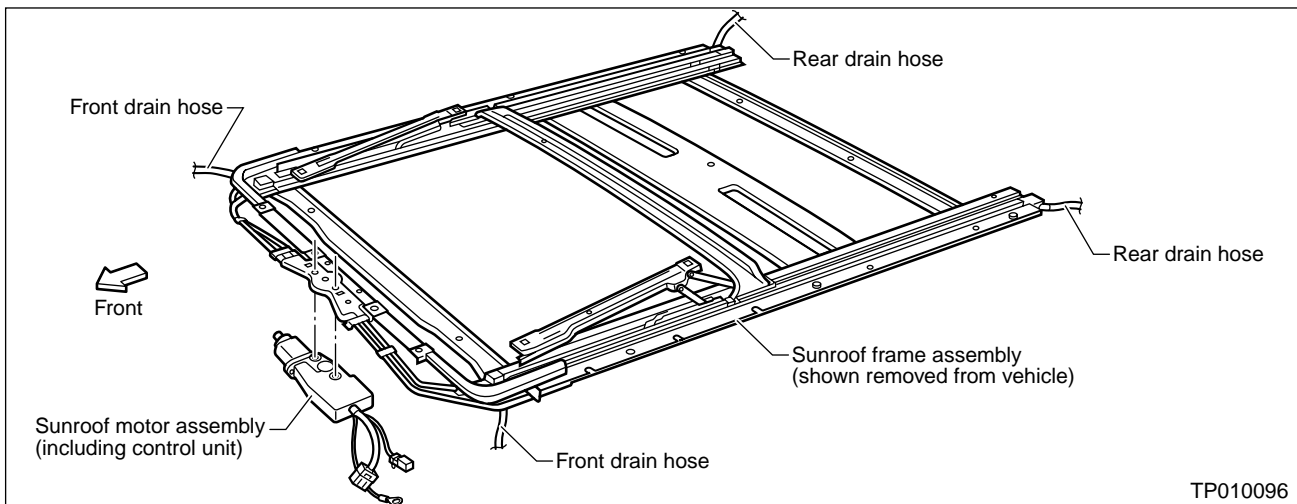


Figure 1

Use the Service Procedure below to identify and repair the incident, if it should occur.

SERVICE PROCEDURE

1. Fully open the sunroof glass.
2. Remove the sunroof motor assembly (refer to the BT section of the appropriate Service Manual).

3. Remove the plastic cover plate from the sunroof motor and inspect the circuit board:
 - If the circuit board is wet or is corroded, water is not draining correctly from the sunroof tray. Replacement of the sunroof motor AND the sunroof tray with the one listed in the Parts Information section of this bulletin is needed.
IMPORTANT: First, check the sunroof drains. See step 4 below.
 - If the circuit board is not wet or corroded, check for other possible causes of the incident. Refer to the EL section of the appropriate Service Manual for diagnosis of the sunroof switch and/or its circuits.
4. With the vehicle parked on a level surface, check the sunroof drains for blockage as follows:

CAUTION: Only a small amount of water is needed for this test.

 - A. Pour a small amount (less than 1 cup) of water into the front of the sunroof frame assembly, at the location of the front drain hoses (see Figure 1 on page 1 of this bulletin).
 - B. Watch for water draining into the wheelhouse areas at all four corners of the vehicle.
 - If water can be seen draining from the hoses, proceed to step 5.
 - If not, clear the hoses (refer to the BT section of the appropriate Service Manual) and then proceed to step 5.
5. Replace the sunroof motor assembly and the sunroof frame assembly with the ones from the Parts Information section of this bulletin. Follow the instructions in the BT section of the appropriate Service Manual.

PARTS INFORMATION

DESCRIPTION	PART #	QUANTITY
Motor Ass'y - Sunroof	91295-2Y020	1
Rail Ass'y - Sunroof	91350-4Y910	1

CLAIMS INFORMATION

Submit a Primary Failed Part (PP) line claim for using the following claims coding:

DESCRIPTION	PFP	OP CODE	SYM	DIA	FRT
R&R/RPL Sun Roof Motor (to check circuit board)	91295-2Y020	UQ26AA	ZE	32	0.9 hrs

OR

DESCRIPTION	PFP	OP CODE	SYM	DIA	FRT
RPL Sunroof frame/seal*	91350-4Y910	UQ36AA	ZE	32	3.0 hrs

* Includes sun roof motor R&R and drain hose check/clearing.