



SERVICE BULLETIN

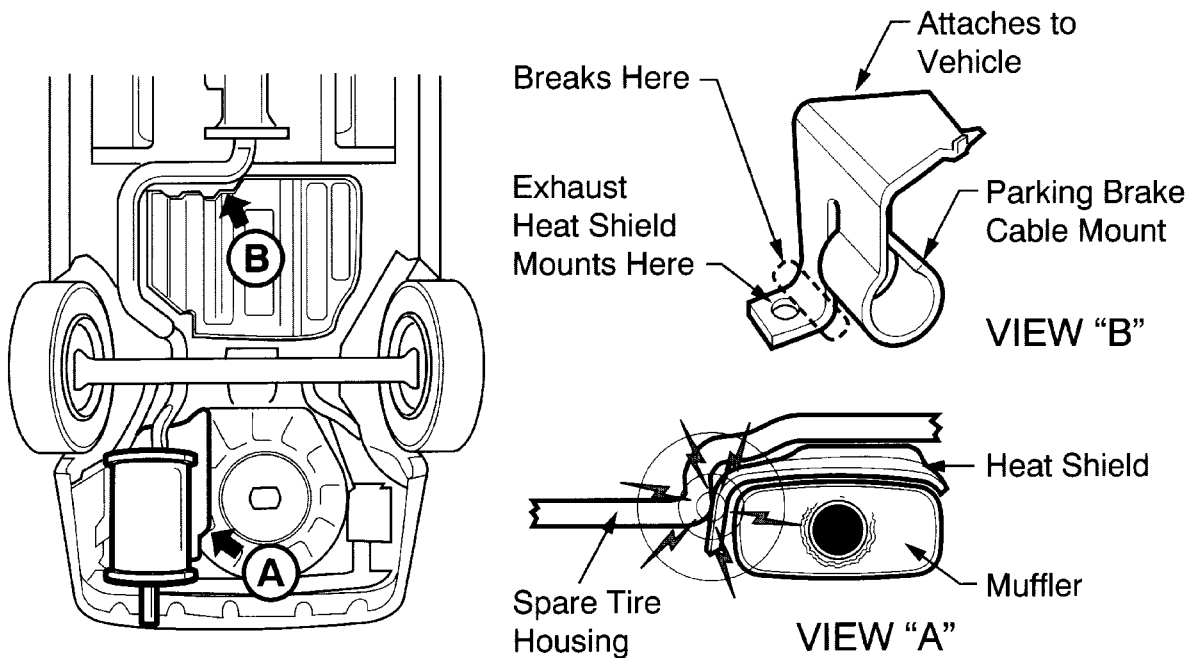
Classification: FE95-001	Reference: NTB95-025	Date: February 22, 1995
-----------------------------	-------------------------	----------------------------

1995 MAXIMA EXHAUST HEAT SHIELD RATTLE NOISE

APPLIED VEHICLE(S): 1995 Maxima (A32)

SERVICE INFORMATION

On some 1995 Maxima vehicles there may be a slight rattle noise from the rear of the vehicle when going over bumps. The exhaust heat shield may be contacting the spare tire well or the exhaust heat shield bracket may be broken (Figure 1).

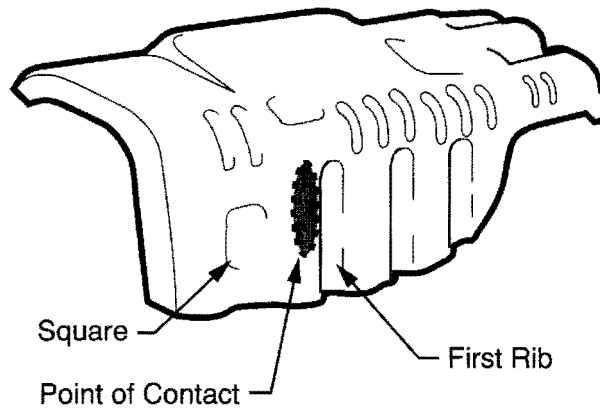


SERVICE PROCEDURE

Use the following procedure to resolve the incident:

1. Drive the incident vehicle to confirm the rattle noise.
2. Examine the forward exhaust heat shield bracket. If the bracket is broken, replace it. (The bracket may break at the tab where the heat shield mounts.)
3. Bend the rear muffler heat shield to provide adequate clearance from the spare tire well (Figure 2).
4. Road test to confirm the rattle noise is gone.

HEAT SHIELD



PARTS INFORMATION

DESCRIPTION	PART #/PFP	QUANTITY
Bracket, Parking	36521-31U00	1

CLAIMS INFORMATION

OPERATION	OP CODE	PNC	SYMPTOM	DIAGNOSIS	FRT
RPL Floor Insulator	FD42AA	74661	BC	41	0.9