



SERVICE BULLETIN

Classification: AT96-003b	Reference: NTB96-009b	Date: June 5, 1996
------------------------------	--------------------------	-----------------------

RE4F04A AUTOMATIC TRANSMISSION (A/T) - WILL NOT SHIFT WHEN PLACED IN REVERSE

This bulletin replaces NTB96-009 and NTB96-009a, and contains revised Parts Information. Please discard all copies of NTB96-009 and NTB96-009a.

APPLIED VEHICLE(S):
1993-1996 Quest (V40)
1992-1994 Maxima SE (J30)
1995-1996 Maxima (A32)
1993-1996 Altima (U13)

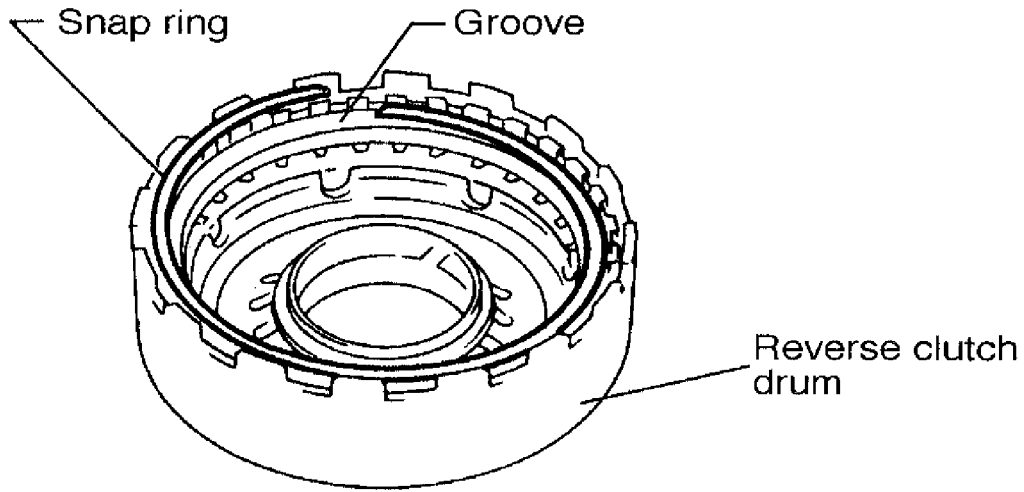
SERVICE INFORMATION

Some vehicles may not shift when placed into reverse. This incident may occur when the transmission oil level is full, clean, and does not exhibit any sign of overheated fluid. This incident also may occur during hot or cold transmission operation and CONSULT will not indicate any transmission failures in self diagnosis.

The reverse clutch drum snap ring may pop out of the inner drum retaining groove to cause this incident. A countermeasure reverse clutch drum, snap ring, and 2 dish plates has been developed to resolve this incident.

SERVICE PROCEDURE

1. Inspect the transmission fluid level. Adjust as necessary and retest transmission operation.
2. Using CONSULT, inspect A/T self diagnosis for any electrical malfunctions. If no trouble codes are found using CONSULT, proceed to Step 3. If trouble codes are found, repair as necessary by following the appropriate diagnostic procedure listed in the service manual.
3. Perform a line pressure test using Kent-Moore J34301-C A/T pressure gauges. If the snap ring has popped out (refer to Figure 1), the line pressure in reverse will be low or zero.
4. If the line pressure is low or zero, remove the reverse clutch drum and inspect the snap ring and retaining groove. If the snap ring has popped out, replace the snap ring using the part number on the following page. If the reverse clutch inner drum retaining groove shows signs of wear, replace the reverse clutch drum using the part numbers listed on the following page.



TC95004

Figure 1

PARTS INFORMATION

DESCRIPTION	PART #/PFP	QUANTITY
Drum assembly - reverse clutch	31511-80X03	1
Snap ring	31506-80X12	1
Plate-dished	31535-80X07	2

CLAIMS INFORMATION

Submit a Primary Failed Part (PFP) claim using the following coding:

OPERATION	OP CODE	SYM	DIAG	FRT	PFP
R & I automatic transaxle assembly	JC01AA	BD/BF	32	See Note 1	31511-80X03
Overhaul oil pump assembly or replace high or reverse clutch assembly	JC071A			See Note 1	
Line pressure test	JC92AA			See Note 1	

NOTE:

1. Reference the current Nissan "Warranty Flat Rate Manual" to obtain the Flat Rate Time applicable to the repaired vehicle.