



SERVICE BULLETIN

Classification: BT98-023	Reference: NTB98-076	Date: September 15, 1998
-----------------------------	-------------------------	-----------------------------

1995-98 MAXIMA CONSOLE LID REPAIR

APPLIED VEHICLE: 1995-98 Maxima (A32)
APPLIED VINS: Vehicles built before: JN1CA21A2WT309248
JN1CA21AXXT700102
JN1CA21DXWT536147
JN1CA21D0XT800204
JN1CA21D*WM932169
JN1CA21D*WM807735
APPLIED DATE: Vehicles built before May 13, 1998

SERVICE INFORMATION

If the console lid on an applied 1995-98 Maxima disconnects from the console box, wiggles or seems loose when opened, excessive lid opening force may have caused one or both of the console lid stopper links to disconnect from, fall out of, or become bent in the slots in the console box.

Replacement lid stopper links are now available to correct this condition.

Use the following procedure to repair this incident.

SERVICE PROCEDURE

1. Open the console lid and remove any items inside the console box.
2. Unscrew the console lid hinge from the console box. Slide any remaining lid stopper links out of their slots and remove the console lid (see Figure 1).

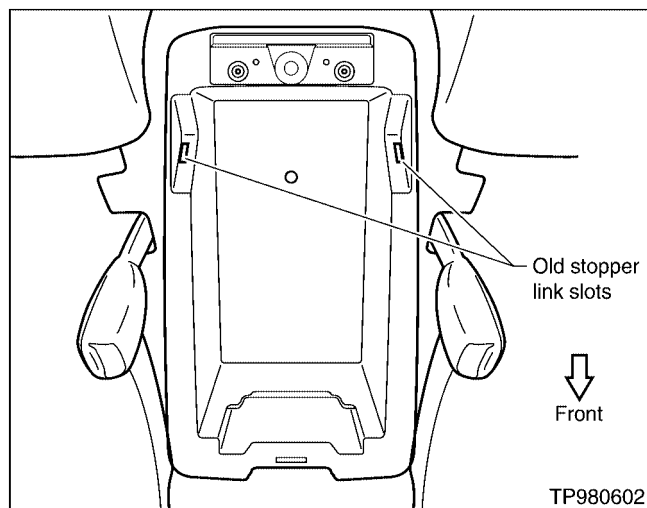


Figure 1

3. To install the replacement stopper links, widen the left and right slots in the console box (which house the stopper links) by 3 mm (0.117 inches), as follows:
 - A. Place a piece of masking tape 3 mm (0.117 inches) from the inside edge of both the right and left slot (see Figure 2).

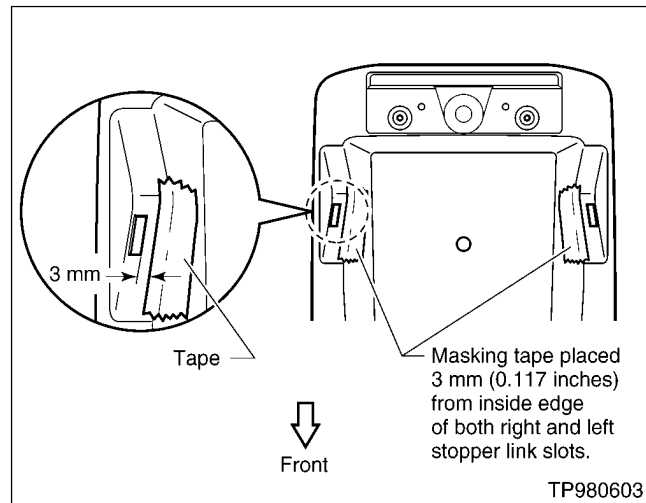


Figure 2

- B. Use the straight edge of the tape as a guide. Cut away the exposed plastic with a razor knife (see Figure 3).

CAUTION: Do not lengthen the slots. Only widen them by 3 mm (0.117 inches).

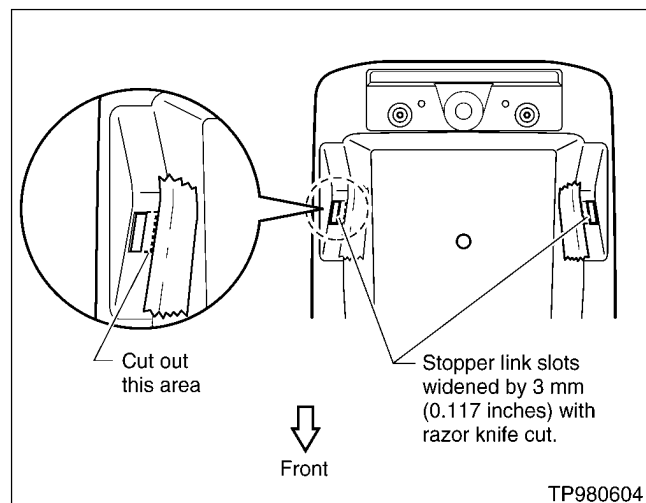


Figure 3

4. Install the replacement left and right links in the console lid. Then slide the ends of the links into the console box slots.
5. Align the lid and tighten both of the hinge screws.

6. Check to ensure the lid closes and opens properly and that the console latch operates normally.

CAUTION: Failure to verify proper lid closure and latch function may result in the latch breaking.

7. Remove any plastic shavings or debris from the console area. Return any removed items to the console box.

PARTS INFORMATION

DESCRIPTION	PART #/PFP	QUANTITY
Console Lid Stopper (RH)	96929-0L700	1
Console Lid Stopper (LH)	96929-0L710	1

CLAIMS INFORMATION

Submit a Primary Failed Part (PP) line using the following claims coding:

DESCRIPTION	PFP	OP CODE	SYM	DIA	FRT
RPL Console Lid/Latch	96929-0L700	VD30AA	FB	03	0.2 hrs

