



SERVICE BULLETIN

Classification: BT98-025	Reference: NTB98-080	Date: October 1, 1998
-----------------------------	-------------------------	--------------------------

1995-98 MAXIMA POWER SEAT CABLE

APPLIED VEHICLE: 1995-98 MAXIMA (A32)
APPLIED VINS: Vehicles built before: JN1CA21AXXT100275
JN1CA21D2XT200171
JN1CA21A4XT700113
JN1CA21DXXT800209
JN1CA21DXXM400819
JN1CA21AXXM300003
APPLIED DATE: Vehicles built before May 27, 1998

SERVICE INFORMATION

If the front driver's or passenger's power seat on an applied 1995-98 Maxima does not move forward or backward when operating the switch and all other power seat functions are performing correctly, the inner rotating wire of the power seat drive cable may be broken. This condition may also result in a grinding or grating noise heard when operating the switch.

Seat cables are available to correct this condition if it should occur.

SERVICE PROCEDURE

1. Verify that the seat will not move forward or backward when operating the power seat switch.
2. Adjust the seat to its highest position to access the forward/backward adjustment motor and power seat drive cable from the front of the seat (foot well area).

3. Confirm the electrical connectors are attached to the motor and that power is available to the motor (see Figure 1).

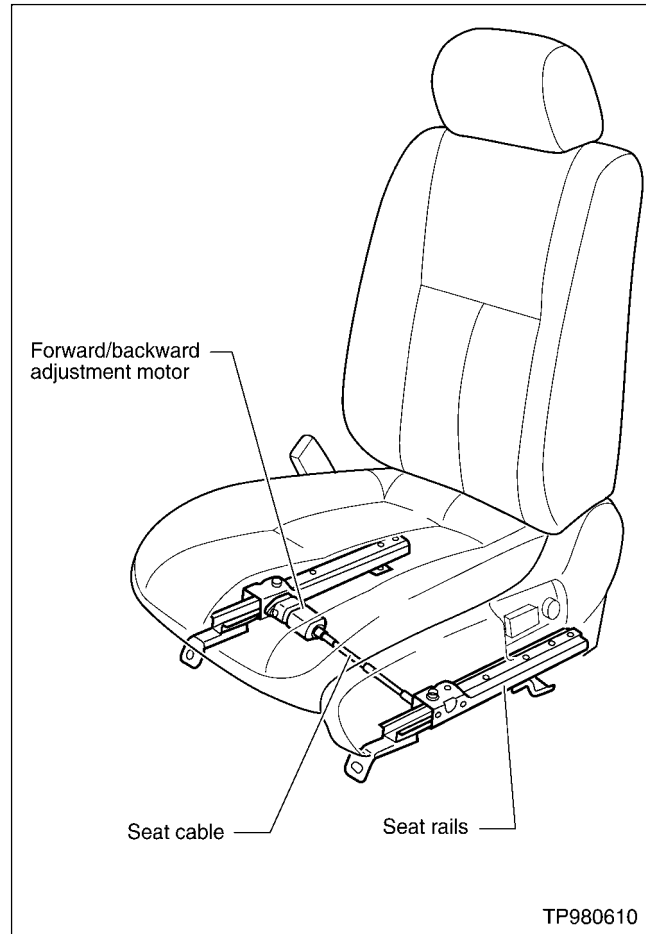


Figure 1

4. Verify both ends of the seat cable are fully seated.
5. If the forward/backward seat adjustment is still not operating, replace the seat cable with the new part.

NOTE: It is not necessary to remove the seat to replace the seat cable. The seat cable can be reached from the front foot well area when the seat is raised to its highest position.

6. After installation, make sure the cable-end connectors are secure. Verify the seat moves forward and backward smoothly.

PARTS INFORMATION

DESCRIPTION	PART #/PFP	QUANTITY
Wire - Flexible, Seat	87503-49U20	1

CLAIMS INFORMATION

If only ONE cable is replaced, submit a Primary Failed Part (PP) line using the following claims coding:

DESCRIPTION	PFP	OP CODE	SYM	DIA	FRT
(1)	87503-49U20	(1)	ZE	32	1.2 hrs.

(1) Use either: RPL Right Seat Slide/Lift Ass'y/VH24AA or RPL Left Seat Slide/Lift Ass'y - VH40AA, as indicated.

OR

If BOTH cables are replaced, submit a Primary Failed Part (PP) line using the following claims coding:

DESCRIPTION	PFP	OP CODE	SYM	DIA	FRT
RPL Right Seat Slide/Lift Ass'y	87503-49U20	VH24AA	ZE	32	1.2 hrs.
RPL Left Seat Slide/Lift Ass'y	-	VH40AA	-	-	1.2 hrs

