



SERVICE BULLETIN

Classification: HA99-004b	Reference: NTB99-071b	Date: April 4, 2001
------------------------------	--------------------------	------------------------

NISSAN BLOWER MOTOR NOISE - COVER INSTALLATION

This amended version of NTB99-071a updates the year range of the Applied Vehicle section. Please discard all paper copies of NTB99-071a.

APPLIED VEHICLES: 1996-2001 Pathfinder (R50)
1995-1999 Maxima (A32)
2000-2001 Maxima (A33) with Automatic Heater/Air
Conditioner Controls

SERVICE INFORMATION

If a customer indicates that a light ticking or humming noise can be heard coming from the blower motor of an applied vehicle when the motor is run at low fan speeds (speed 1 or 2), a new, noise reducing blower motor cover is available (see Figure 1). The noise, if it occurs, may be very slight and, at times, difficult to hear.

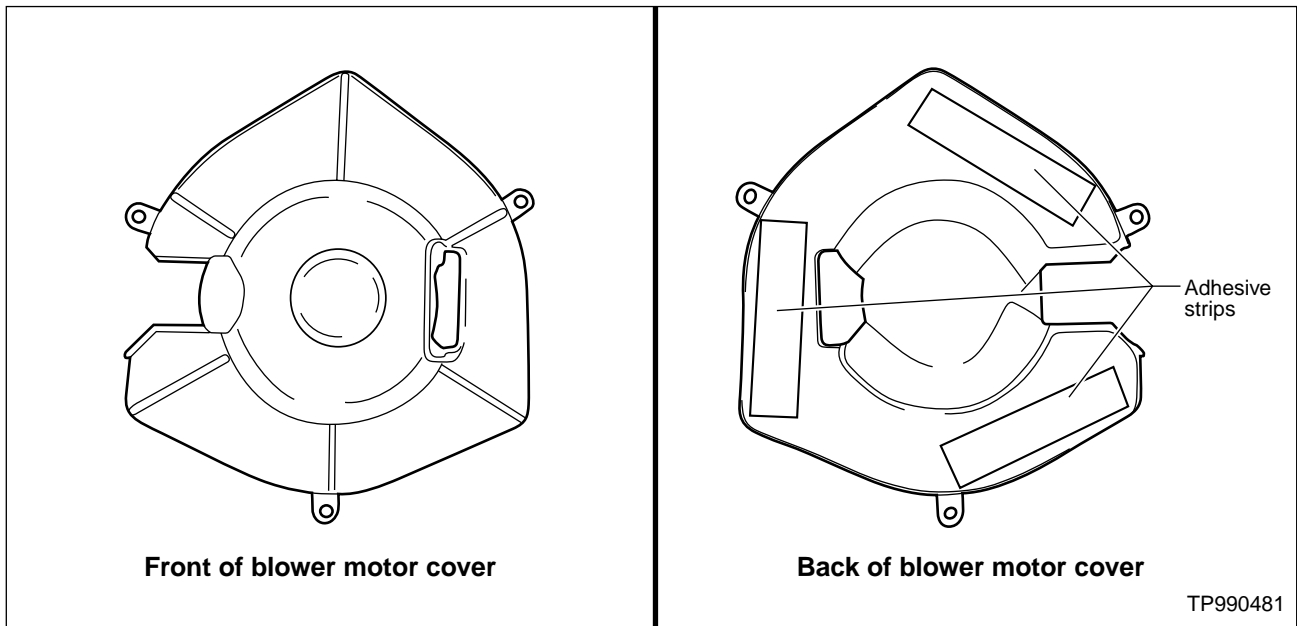


Figure 1

Use the Service Procedure in this bulletin to evaluate the noise and determine the next step to correct the condition.

NOTE: This is the ONLY approved repair procedure for this incident. A claim to Nissan for the repair of this incident may be denied if the repair is not performed exactly as outlined in this bulletin.

SERVICE PROCEDURE

Run the blower motor at low fan speed (speed 1 or 2) and evaluate the noise, if any. Decide which of the two following categories the noise falls under:

1. Loud rattle, clatter, jolt, or flap: Go to the procedure for **Blower Case Cleaning** on Page 3 of this bulletin.
2. Light ticking or humming noise: Complete the steps below to **Install Blower Motor Cover**.

Install Blower Motor Cover:

NOTE: It is not necessary to remove the blower motor when installing the blower motor cover.

1. Remove the instrument panel lower cover (if equipped).
2. Disconnect the blower motor harness connector.
3. Clean the blower motor housing to ensure adhesive strips on the back of the blower motor cover will stick (standard window cleaner or other all-purpose cleaner can be used).

NOTE: Be sure to remove all residual film from the blower motor housing that may have been left by cleaning.

4. Peel the protective coverings from the adhesive strips on the blower motor cover (see Figure 1 for adhesive strip locations).

5. Install the blower motor cover onto the motor bracket (see Figure 2).

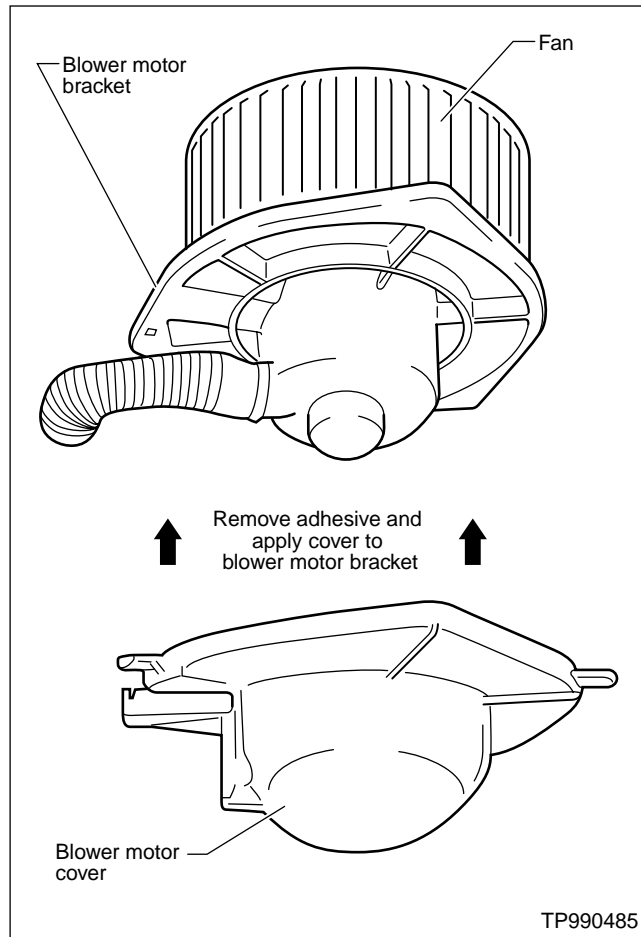


Figure 2

6. Re-connect the blower motor harness connector.
7. Re-attach the instrument panel lower cover (if equipped).
8. Run the blower motor at low fan speed. Confirm that the blower motor is working properly and the noise is eliminated or reduced to an acceptable level.

Blower Case Cleaning:

1. Remove blower motor unit from the blower case.
2. Remove all foreign material from the case.
3. Re-install the blower motor unit.
4. Run the blower motor at low fan speed (speed 1 or 2) and re-evaluate the noise:
 - A. If the noise is gone, no further action is needed.
 - B. If the noise is still a loud rattle, clatter, jolt, or flap, investigate other causes for the noise and repair as needed.
 - C. If the noise is a light ticking or humming, go to and complete the **Install Blower Motor Cover** procedure on pages 2-3, above.

PARTS INFORMATION

DESCRIPTION	PART #/PFP	QUANTITY
Blower Motor Cover	27227-0E002	1

CLAIMS INFORMATION

NOTE: This is the ONLY approved repair procedure for this incident. A claim to Nissan for the repair of this incident may be denied if the repair is not performed exactly as outlined in this bulletin.

Submit a Primary Failed Part (PP) line using the following claims coding:

DESCRIPTION	PFP	OP CODE	SYM	DIA	FRT
Install Blower Motor Cover	27227-0E002	TB30AA	ZL	32	*

*Reference the current Nissan Warranty Flat Rate Manual and use the indicated FRT.

