



# SERVICE BULLETIN

Classification: BT99-036	Reference: NTB99-072	Date: October 15, 1999
-----------------------------	-------------------------	---------------------------

## WINDSHIELD WASHER NOZZLE SPRAY PATTERN ADJUSTMENT

**APPLIED VEHICLES:** 1996-99.5 Pathfinder (R50)  
1995-99 Maxima (A32)

**APPLIED VINS:** R50 - vehicles built before JN8AR07Y\*XW386716  
A32 - All VINs from 1995 through 1999 model year

**APPLIED DATES:** R50 - vehicles built before June 2, 1999  
A32 - vehicles built before May 15, 1999

### SERVICE INFORMATION

If the owner/leasee of an applied vehicle is not satisfied with the windshield washer fluid spray pattern, even though the spray pattern may be within specifications according to the service manual, the spray pattern may be adjusted to better suit the customer's preference by using the service procedure listed below.

### SERVICE PROCEDURE

Adjust the windshield washer nozzle spray pattern as follows:

1. Place a small piece of masking tape (one half-inch square) on the windshield at each point that the washer fluid should contact the windshield according to the new spray pattern specifications listed in Figure 1.
2. Activate the windshield washer and adjust each washer fluid nozzle (individually) until the fluid stream contacts the corresponding piece of masking tape.

**PATHFINDER / MAXIMA WINDSHIELD WASHER NOZZLE SPRAY PATTERN ADJUSTMENT**

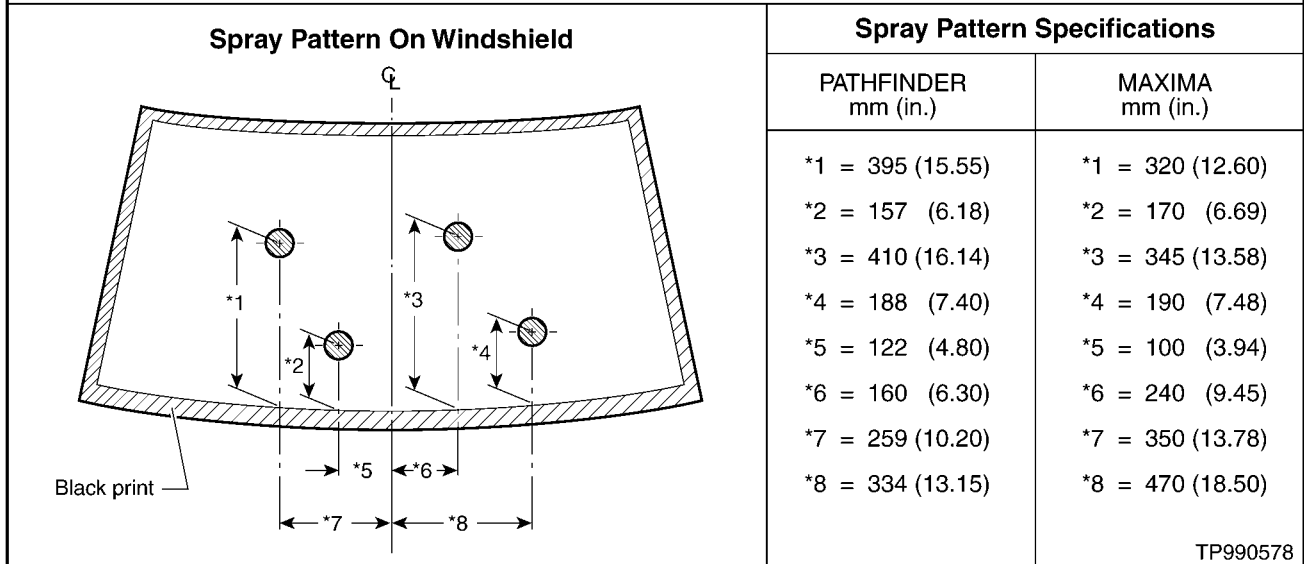


Figure 1

**CLAIMS INFORMATION**

Submit a Primary Failed Part (PP) line using the following claims coding:

DESCRIPTION	PFP	OP CODE	SYM	DIA	FRT
Replace/Adjust All Windshield Washer Nozzles	*	RG20AA	ZE	41	0.2 hrs (R50 / A32)

\* Refer to the R50 or A32 parts catalog and use the P/N of the indicated windshield washer nozzle as the PFP.